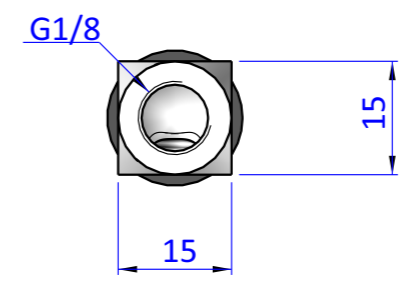
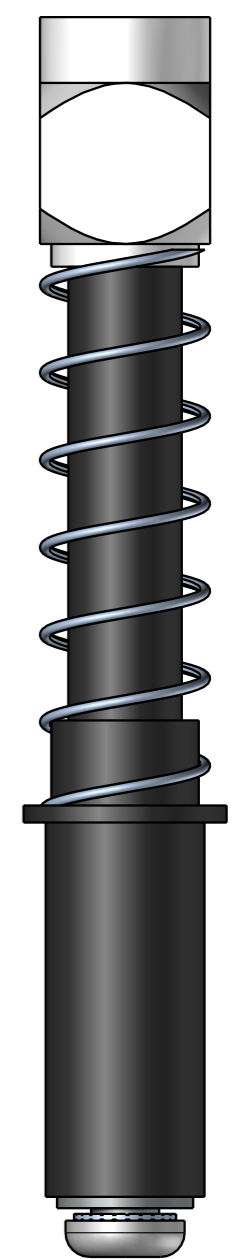
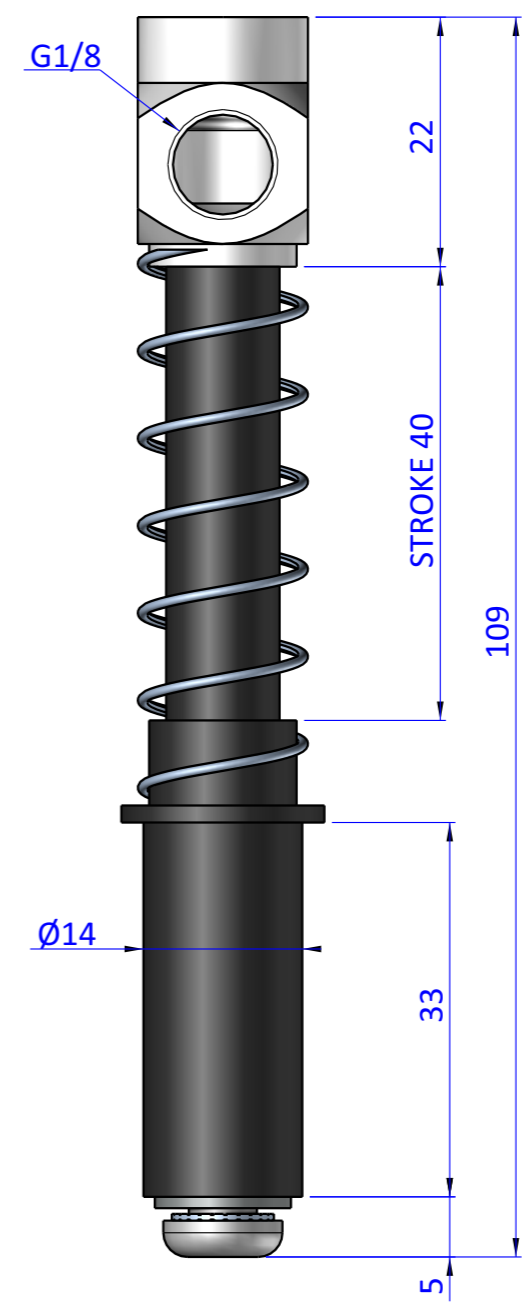
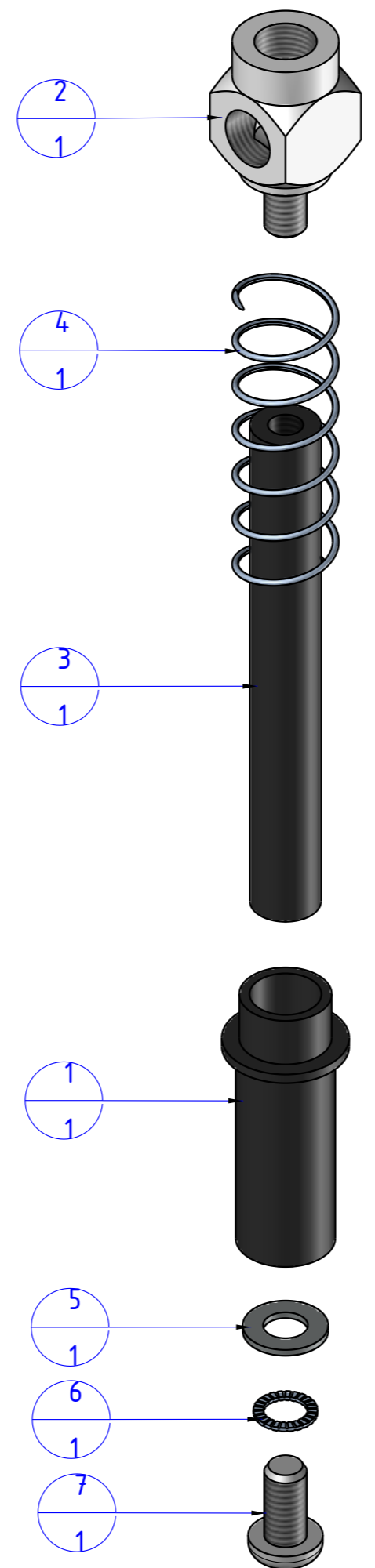



THE PROPERTY OF THE DRAWING IS ESTABLISHED BY LAW. IT IS FORBIDDEN TO PRODUCE OR SHOW IT TO THIRD PART. WITHOUT A WRITTEN AGREEMENT.

Item	Name	Qty.
1	GGD.14.2	1
2	GGD.14.18.18.1	1
3	GGD.14.40	1
4	M.15X60	1
5	R.6	1
6	R.6.SCH	1
7	V.TBCE6X12.BUTT	1



Format A3  
UNI 936-76

 <b>FPS</b> FPSERVICES AUTOMATION		DESIGNED FROM		REVIEW
		FPS Automation		A
GENERAL TOLERANCE		DATE	WEIGHT	
UNI - ISO 2768		03/03/2021	0,037kg	
CLASSE f		DESCRIPTION	CODE	
		CA.GGD.14181840	CA.GGD.14181840	